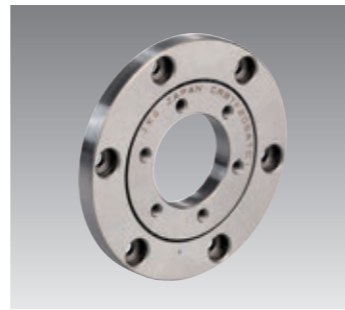


IKO

New

Mounting Holed Type Super Slim
Crossed Roller Bearings

CRBTF



NIPPON THOMPSON CO., LTD. (JAPAN)

Head Office : 19-19 Takanawa 2-chome Minato-ku
Tokyo 108-8586, Japan
Phone : +81 (0)3-3448-5850
Fax : +81 (0)3-3447-7637
E-mail : ntt@ikonet.co.jp
URL : <http://www.ikonet.co.jp/eg/>
Plant : Gifu, Kamakura

IKO INTERNATIONAL, INC. (U.S.A.)

East Coast Operations (Sales Head Office)

91 Walsh Drive
Parsippany, NJ 07054
U.S.A.
Phone : +1 973-402-0254
Toll Free : 1-800-922-0337
Fax : +1 973-402-0441
E-mail : eco@ikonet.co.jp

Midwest Operations

101 Mark Street Unit G,
Wood Dale, IL 60191
U.S.A.
Phone : +1 630-766-6464
Toll Free : 1-800-323-6694
Fax : +1 630-766-6869
E-mail : mwo@ikonet.co.jp

Minnesota Sales Office

1500 McAndrews Road West, Suite 210
Burnsville, MN 55337
U.S.A.
Phone : +1 952-892-8415
Toll Free : 1-800-323-6694
Fax : +1 952-892-1722
E-mail : mwo@ikonet.co.jp

West Coast Operations

9830 Norwalk Boulevard, Suite 198
Santa Fe Springs, CA 90670
U.S.A.
Phone : +1 562-941-1019
Toll Free : 1-800-252-3665
Fax : +1 562-941-4027
E-mail : wco@ikonet.co.jp

Silicon Valley Sales Office

1500 Wyatt Drive, Suite 10
Santa Clara, CA 95054
U.S.A.
Phone : +1 408-492-0240
Toll Free : 1-800-252-3665
Fax : +1 408-492-0245
E-mail : wco@ikonet.co.jp

Southeast Operations

2150 Boggs Road, Suite 100
Duluth, GA 30096
U.S.A.
Phone : +1 770-418-1904
Toll Free : 1-800-874-6445
Fax : +1 770-418-9403
E-mail : seo@ikonet.co.jp

Southwest Operations

8105 N. Beltline Road, Suite 130
Irving, TX 75063
U.S.A.
Phone : +1 972-929-1515
Toll Free : 1-800-295-7886
Fax : +1 972-915-0060
E-mail : swo@ikonet.co.jp

IKO THOMPSON BEARINGS CANADA, INC.(CANADA)

731-2425 Matheson Boulevard East 7th floor
Mississauga, Ontario L4W 5K4, Canada
Phone : +1 905-361-2872
Fax : +1 905-361-6401
E-mail : itc@ikonet.co.jp

IKO BRASIL SERVIÇOS EMPRESARIAIS LTDA. (BRAZIL)

Rua Frei Caneca 1407, Condomínio Edifício Barão
de Monte Cedro,Cjs. 801/802, Consolação,
São Paulo- SP
Cep : 01307-909
Phone : +55 (0)11-2366-3033
E-mail : itb@ikonet.co.jp

NIPPON THOMPSON EUROPE B.V. (EUROPE)

The Netherlands (Sales Head Office)

Sheffieldstraat 35
3047 AN Rotterdam
The Netherlands
Phone : +31 (0)10-462 68 68
E-mail : nte@ikonet.co.jp

Germany Branch

Mündelheimer Weg 54
40472 Düsseldorf
Germany
Phone : +49 (0)211-41 40 61
Fax : +49 (0)211-42 76 93
E-mail : ntd@ikonet.co.jp

Regensburg Sales Office

Im Gewerbepark D 30
93059 Regensburg
Germany
Phone : +49 (0)941-20 60 70
Fax : +49 (0)941-20 60 719
E-mail : ntdr@iko-nt.de

Neunkirchen Sales Office

Gruben Str. 95c
66540 Neunkirchen
Germany
Phone : +49 (0)6821-99 98 60
Fax : +49 (0)6821-99 98 626
E-mail : ntdn@iko-nt.de

U.K. Branch

2 Vincent Avenue, Crownhill
Milton Keynes, Bucks, MK8 0AB
United Kingdom
Phone : +44 (0)1908-566144
Fax : +44 (0)1908-565458
E-mail : sales@iko.co.uk

Spain Branch

Autovia Madrid-Barcelona, Km. 43,700
Polig. Ind. AIDA - Nove A-8, Ofic. 2-1^a
19200 Azuqueca de Henares
(Guadalajara) Spain
Phone : +34 949-26 33 90
Fax : +34 949-26 31 13
E-mail : nts@ikonet.co.jp

France Branch

Bâtiment le Raphaël Paris Nord 2
22 avenue des Nations
BP54394 Villepinte
95943 ROISSY C.D.G Cedex
France
Phone : +33 (0)1-48 16 57 39
Fax : +33 (0)1-48 16 57 46
E-mail : contact@iko-france.com

IKO THOMPSON KOREA CO.,LTD. (KOREA)

2F, 111, Yeouigongwon-ro,
Yeongdeungpo-gu, Seoul, Korea
Phone : +82 (0)2-6337-5851
Fax : +82 (0)2-6337-5852
E-mail : itk@ikonet.co.jp

IKO THOMPSON ASIA CO., LTD. (THAILAND)

1-7 Zuellig House, 3rd Floor
Silom Road, Silom, Bangrak
Bangkok 10500, Thailand
Phone : +66 (0)2-637-5115
Fax : +66 (0)2-637-5116
E-mail : ita@ikonet.co.jp

IKO-THOMPSON (SHANGHAI) LTD. (CHINA)

Shanghai (Sales Head Office)

1608-10 MetroPlaza No.555 LouShanGuan
Road
ChangNing District Shanghai
People's Republic of China 200051
Phone : +86 (0)21-3250-5525
Fax : +86 (0)21-3250-5526
E-mail : ntc@ikonet.co.jp

Beijing Branch

Room1506, Jingtai Tower,
NO.24,Jianguomenwai Avenue,
Chaoyang District, Beijing People's Republic of
China 100022
Phone : +86 (0)10-6515-7681
Fax : +86 (0)10-6515-7681*106
E-mail : ntc@ikonet.co.jp

Guangzhou Branch

Room 834, Garden Tower, Garden Hotel
368 Huanshi East Road, Yuexiu District,
Guangzhou, Guangdong
People's Republic of China 510064
Phone : +86 (0)20-8384-0797
Fax : +86 (0)20-8381-2863
E-mail : ntc@ikonet.co.jp

Wuhan Branch

Room 2300, Truroll Plaza No.72 Wusheng
Road, Qiao kou District, Wuhan, Hubei
People's Republic of China 430033
Phone : +86 (0)27-8556-1610
Fax : +86 (0)27-8556-1630
E-mail : ntc@ikonet.co.jp

Shenzhen Office

Room 420, Oriental Plaza,
1072 Jianshe Road, Luohu District,
Shenzhen, Guangdong
People's Republic of China 518001
Phone : +86 (0)755-2265-0553
Fax : +86 (0)755-2298-0665
E-mail : ntc@ikonet.co.jp

Ningbo Office

Room 3406, Zhongnongxin Building, No.181
Zhongshan East Road, Haishu Ward, Ningbo,
Zhejiang
People's Republic of China 315000
Phone : +86 (0)574-8718-9535
Fax : +86 (0)574-8718-9533
E-mail : ntc@ikonet.co.jp

Qingdao Office

1007 Block B, He Da Center Building, No.179
Tailiu Road, Shibei District, Qingdao,
Shandong
People's Republic of China 266000
Phone : +86 (0)532-8670-2246
Fax : +86 (0)532-8670-2242
E-mail : ntc@ikonet.co.jp

Shenyang Office

2-1203 Tower I.City Plaza Shenyang, No.206
Nanjing North Street Heping District,
Shenyang
People's Republic of China 110001
Phone : +86 (0)24-2334-2662
Fax : +86 (0)24-2334-2442
E-mail : ntc@ikonet.co.jp



* The specifications and dimensions of products in this catalog are subject to change without prior notice. * When these products are exported, the exporter should confirm a forwarding country and a use, and, in case of falling under the customer's requirements, take necessary procedures such as export permission application. * Although all data in this catalog has been carefully compiled to make the information as complete as possible, NIPPON THOMPSON CO., LTD. shall not be liable for any damages whatsoever, direct or indirect, based upon any information in this catalog. NIPPON THOMPSON CO., LTD. makes no warranty, either express or implied, including the implied warranty of merchantability or fitness for a particular purpose. * Reproduction and conversion without permission are prohibited.



ISO 9001 & 14001 Quality system registration certificate



<https://www.ikonet.co.jp/eg/>

CAT-2951E

Printed in Japan ©2019.07

Email: info@eibc.in

Website: www.eibc.in

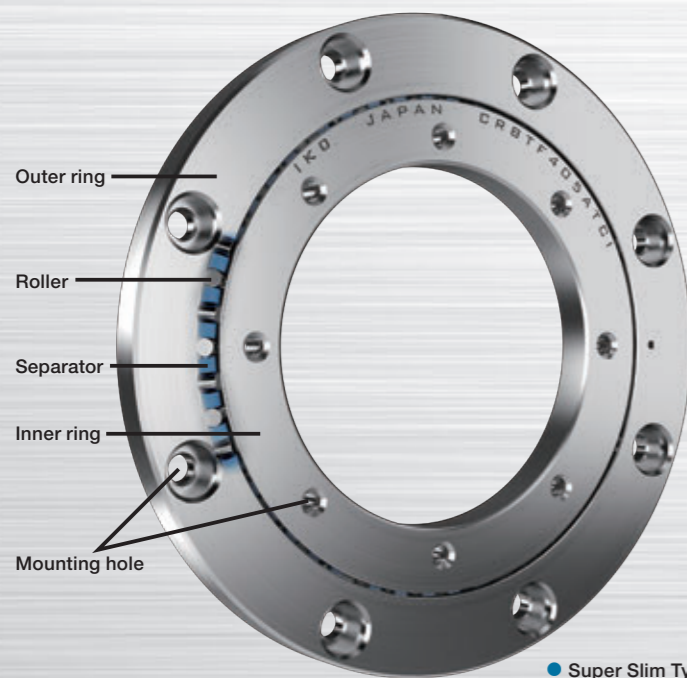
NIPPON THOMPSON CO., LTD.

Super Slim Crossed Roller Bearings now available with mounting hole specification! Slim design and easy mounting can reduce the size and weight of your equipment.

Mounting Holed Type Super Slim Crossed Roller Bearings

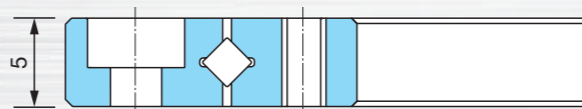
CRBTF

CRBTF Structure and Features



1. Make your equipment more compact with this super slim design!

Mounting Holed Type Super Slim Crossed Roller Bearings have an ultra-slim 5 mm bearing width, made possible thanks to IKO's technological expertise in miniature bearing production.

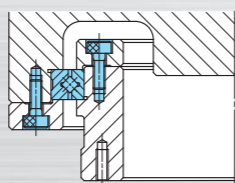


2. Easy bolt-on mounting eliminates complex mounting procedures.

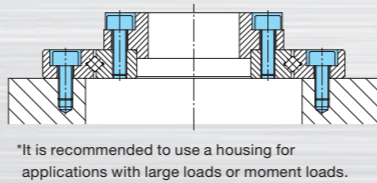
Mounting Holed Type Super Slim Crossed Roller Bearings can be mounted directly to the mounting surface. No housing or pressure plate required.

● Super Slim Type Crossed Roller Bearing Mounting Method

Until now...
Housing and pressure plates were required.



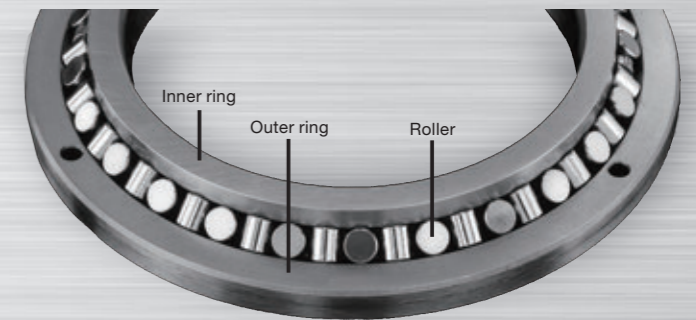
● Mounting Holed Type Super Slim Crossed Roller Bearing Mounting Method



*It is recommended to use a housing for applications with large loads or moment loads.

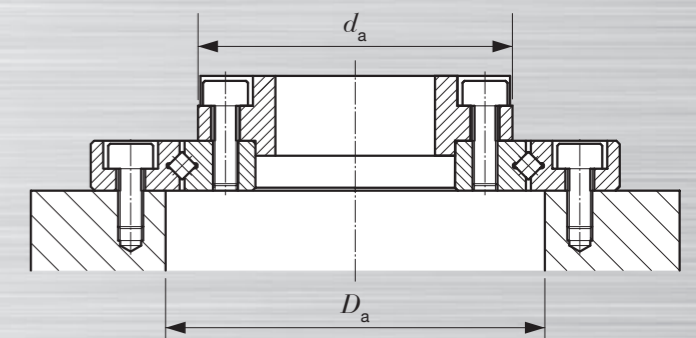
What are Crossed Roller Bearings?

IKO Crossed Roller Bearings are compact bearings with their rollers alternately crossed at right angles to each other between inner and outer rings. The orthogonal array of the rollers allows a single bearing to handle complex loads simultaneously from any direction, making mounting possible without worrying about load direction.



Mounting

- The shoulder height diameters (d_a and D_a) which are related to mounting must meet the values shown in the dimension tables.
- When used with a housing, it is recommended to use a slight interference fit adjusted to the actual measured dimensions of the outer and inner ring. In addition, the depth of the housing bore is recommended to be equal to or larger than the bearing width.
- Mounting Holed Type Super Slim Crossed Roller Bearings have a plug hole for inserting cylindrical rollers. When mounting the bearings, position the plug away from the maximum load. The plug is located by the pin on the side.



Tighten the fixing screws (M2.5 x 0.4) at 0.58 N·m torque.

Dimensions/Accuracy/Clearance

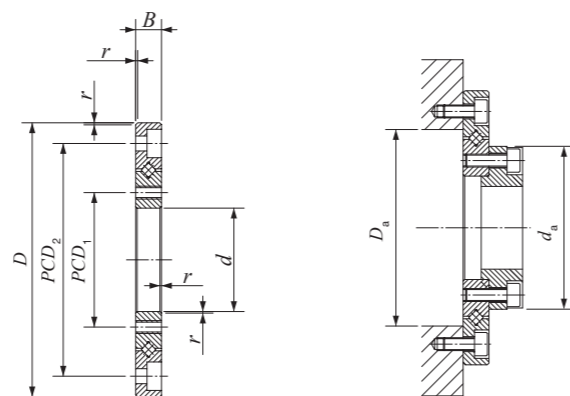


Table 1. Dimensions

Shaft diameter mm	Identification number	Mass (Ref.) g	Boundary dimensions mm				Mounting holes mm			Mounting dimensions mm		Basic dynamic load rating C N	Basic static load rating C_0 N	
			d	D	B	$r_{min}^{(1)}$	Inner ring Mounting holes	PCD_2	Outer ring Mounting holes	d_a	D_a			
10	CRBTF 105 AT	46	10	43	5	0.15	16	6-M2.5 through	35	6- ϕ 2.9 through ϕ 5.5 Counterbore depth 2.8	21.5	28	1 500	1 410
20	CRBTF 205 AT	66	20	53	5	0.15	26	6-M2.5 through	45	6- ϕ 2.9 through ϕ 5.5 Counterbore depth 2.8	31.5	38	1 890	2 150
30	CRBTF 305 AT	83	30	63	5	0.15	36	8-M2.5 through	55	8- ϕ 2.9 through ϕ 5.5 Counterbore depth 2.8	41.5	47.5	2 140	2 750
40	CRBTF 405 AT	103	40	73	5	0.15	46	8-M2.5 through	65	8- ϕ 2.9 through ϕ 5.5 Counterbore depth 2.8	51.5	58	2 440	3 490

Note ⁽¹⁾ Minimum allowable single value of chamfer dimension r . Remarks 1. No oil hole is provided. 2. Provided with pre-packed grease.

Table 2. Accuracy/Internal radial clearance

d Nominal bore diameter mm	Δ_{dmp} Bore diameter deviation		Δ_{Dmp} Outside diameter deviation		Δ_{Bs} and Δ_{Cs} Inner/outer ring width deviation		K_{ia} and S_{ia} Radial and axial runout of assembled bearing inner ring	K_{ea} and S_{ea} Radial and axial runout of assembled bearing outer ring	Radial internal clearance C1	
	High	Low	High	Low	High	Low	Maximum	Maximum	Min.	Maximum
	10	0	-8	0	-11	0	-75	13	20	0
20	0	-10	0	-13	0	-75	13	20	0	15
30	0	-10	0	-13	0	-75	15	25	0	15
40	0	-12	0	-13	0	-75	15	25	0	15

unit: μ m